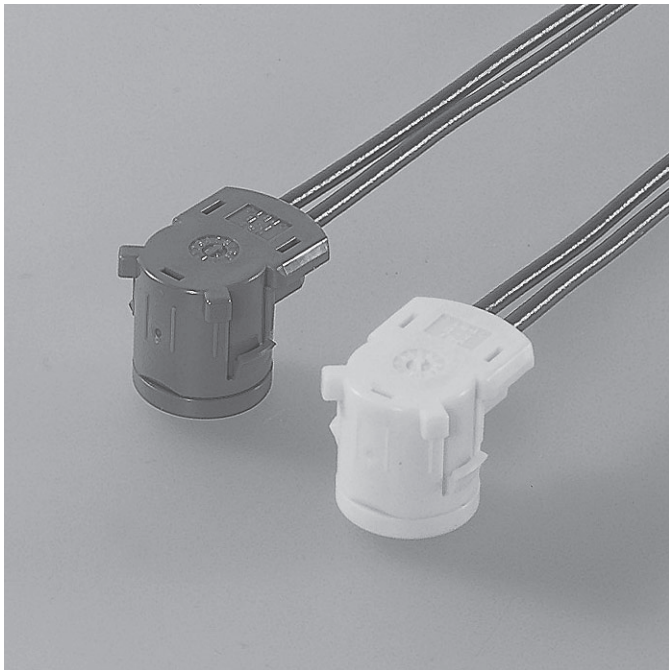


SQF CONNECTOR

Squib connectors



This connector for air-bag is simple, compact and not easy to come off without CPA.

■ Features

● Compact design

Miniaturized in total length and height compared to the conventional connector for air-bag.

This connector can fix in the outer diameter 20mm or less of an inflator.

● Mating

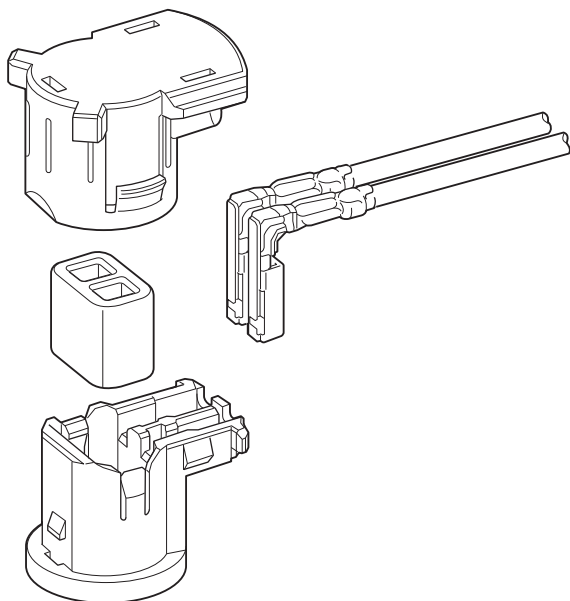
Designed to fix into the fix-in type inflator pocket.

● Terminal construction

It is designed to prevent the deformation of the contact part when processing wire harness by protecting the contact part of each terminal with a box.

● Noise suppression

Ferrite core provides simple and reliable noise suppression characteristics.

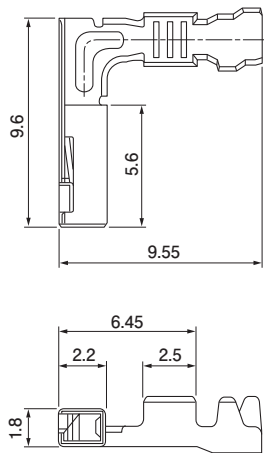


■ Specifications

- Temperature range: -30°C to $+80^{\circ}\text{C}$
(including temperature rise in applying electrical current)
- Insulation resistance: 100 M Ω min.
- Applicable wire: 0.3 mm² to 0.5 mm²

* Compliant with ELV/RoHS2.
* Contact JST for details.

Female terminal

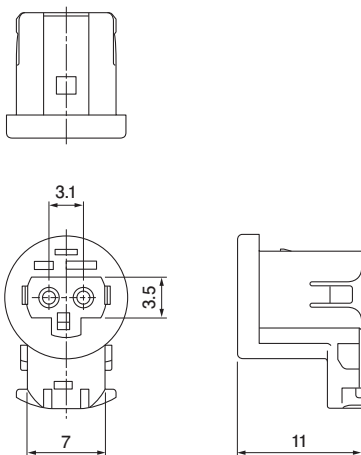


Model No.	Applicable wire range		Q'ty/reel
	Conductor (mm ²)	Insulation O.D. (mm)	
SSQF-A03GF-P-P	0.3 to 0.5	1.0 to 1.6	6,500

Material and Finish

Copper alloy, nickel-undercoated, Contact area; gold-plated

Female housing

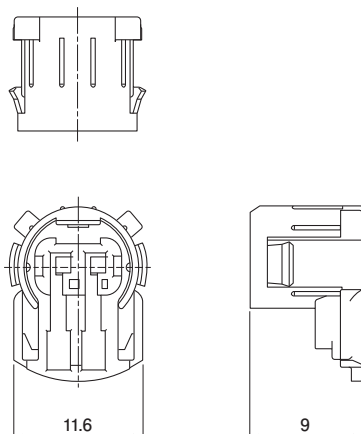


Circuits	Model No.	Q'ty/box	Color
2	SQFR-02H-1A-Y	1,000	Yellow
	SQFR-02H-1B-M	1,000	Green
	SQFR-02H-1C-D	1,000	Orange

Material

PBT

Cover housing



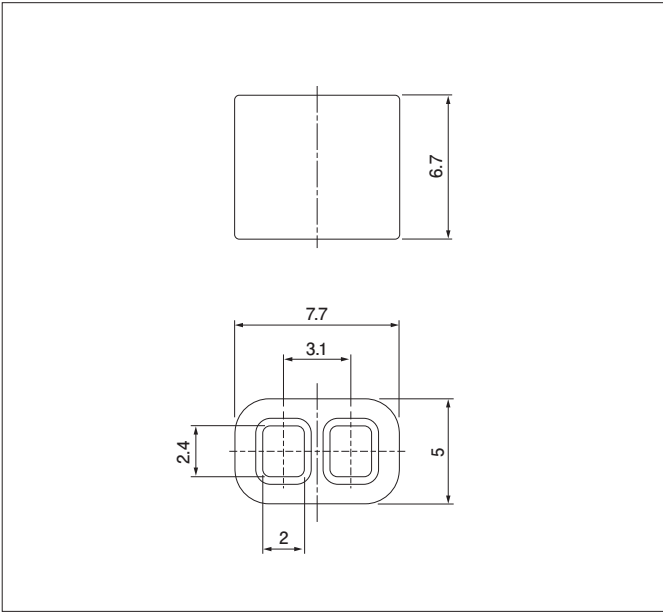
Circuits	Model No.	Q'ty/box	Color
2	SQFL-02H-1A-Y	1,000	Yellow
	SQFL-02H-1B-M	1,000	Green
	SQFL-02H-1C-D	1,000	Orange

Material

PBT

SQF CONNECTOR

Ferrite



Circuits	Model No.	Q'ty/box
2	SQFF-02-1A	3,000

Crimping machine, Applicator

Strip terminal	Crimping machine	Crimp applicator MKS-L	
		Dies	Crimp applicator with dies
SSQF-A03GF-P-P	AP-K2N	MK/SQS-A03-P	APLMK SQS-A03-P

Note: When crimping operation is conducted using an applicator and die set other than the above, JST cannot guarantee the performance of the terminal.